

Unit: mm

Specifications

Max. FOV(mm)	25
Sensor Size (mm)	6
Magnification	0.240
WD (mm)	50±5
Effective F-number	6
Object-side Resolution (um)	16.78
DOF (mm)	8.33
Measured Telecentricity	0.1°
Measured Distortion	0.1%
Mount	C-Mount
Length(mm)	110
Diameter (mm)	42
Weight (g)	295

DESIGNED IN GERMANY
ULTRA HIGH PERFORMANCE BI-TELECENTRIC LENSES

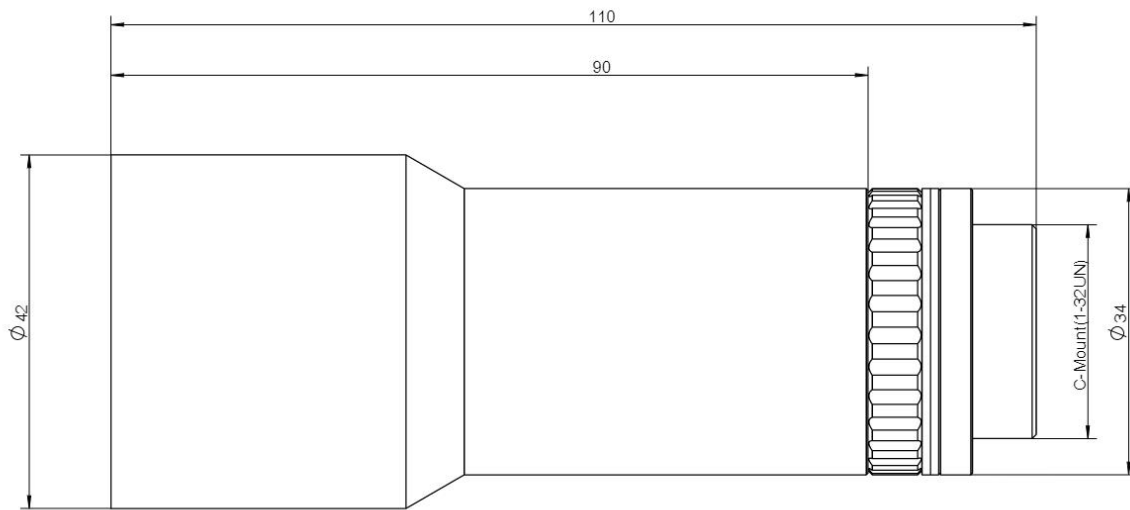
Features

Available for cameras with sensor size of 1/3"

FOV (mm*mm)

1/3" (4.8×3.6)

20×15



Unit: mm

Specifications

Max. FOV(mm)	25
Sensor Size (mm)	6
Magnification	0.240
WD (mm)	50±5
Effective F-number	16
Object-side Resolution (um)	44.73
DOF (mm)	22.22
Measured Telecentricity	0.1°
Measured Distortion	0.1%
Mount	C-Mount
Length(mm)	110
Diameter (mm)	42
Weight (g)	295

DESIGNED IN GERMANY
ULTRA HIGH PERFORMANCE BI-TELECENTRIC LENSES

Features

Available for cameras with sensor size of 1/3"

FOV (mm*mm)

1/3" (4.8×3.6)

20×15